

H&S PARTS BOOK

S1150 SPREADER



Revision #00
Starting Ser #511059

Part #72937
HSMFG0216

**P.O. BOX 768, MARSHFIELD, WI 54449
(715) 387-3414 FAX (715) 384-5463
www.hsmfgco.com**

CONTENTS

| | |
|---|-----|
| Instructions for Ordering Parts | 1 |
| Figure 1 - Main Frame and Component Parts | 2-5 |
| Figure 2 - Optional Rear Pan | 6 |
| Parts Notes | 7-8 |

INSTRUCTIONS FOR ORDERING PARTS

All service parts should be ordered through your authorized H&S dealer. They will be able to give you faster service if you will provide them with the following

1. Model & Serial number is located on the right side frame behind the transport wheel.
2. All reference to left or right apply to the machine as viewed from the rear.
3. Parts should not be ordered from illustration only. Please order by complete part number.
4. If your dealer has to order parts - give shipping instructions:

VIA truck - large pieces (please specify local truck lines)

VIA United Parcel Service (include full address)

| | |
|-------------------|----------------------|
| H&S MFG. CO. INC. | |
| MARSHFIELD, WIS. | |
| MOD. NO. | <input type="text"/> |
| SER. NO. | <input type="text"/> |
| DESCR. | <input type="text"/> |

PLEASE RECORD NUMBERS FOR YOUR UNIT FOR QUICK REFERENCE

ABOUT IMPROVEMENTS

H&S IS CONTINUALLY STRIVING TO IMPROVE IT'S PRODUCTS

We must therefore, reserve the right to make improvements or changes whenever it becomes practical to do so without incurring any obligation to make changes or additions to the equipment previously sold.

FIGURE 1
MAIN FRAME AND COMPONENT PARTS

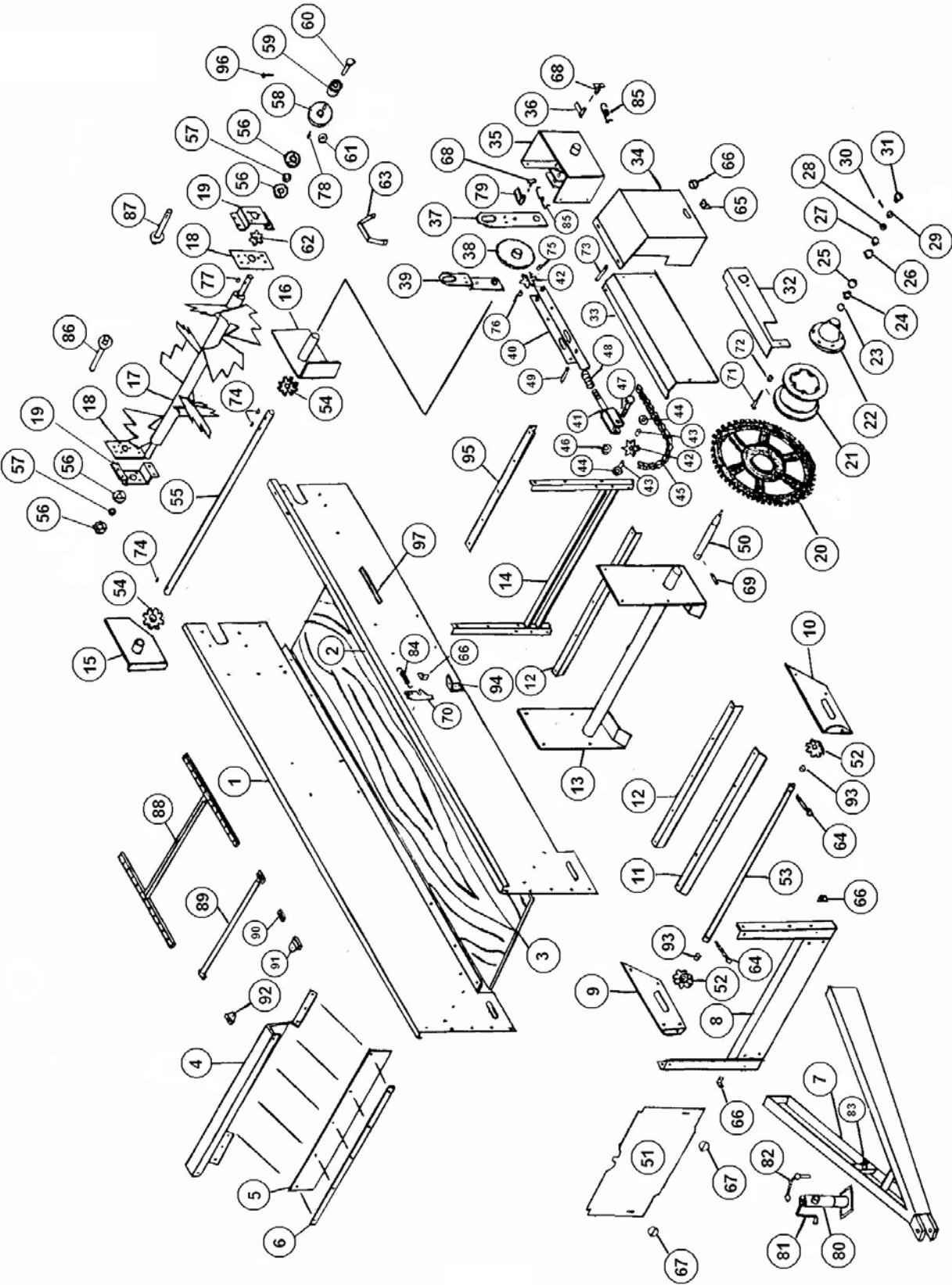


FIGURE 1

MAIN FRAME AND COMPONENT PARTS

| <u>ITEM</u> | <u>PART#</u> | <u>DESCRIPTION</u> |
|-------------|--------------|-------------------------------------|
| 1 | 5N2 | RH TUB SIDE |
| 2 | 5N1 | LH TUB SIDE |
| 3 | 5N70 | FLOOR |
| 4 | 5N5 | FRONT PANEL |
| 5 | 5N45 | FRONT SEAL |
| 6 | 5N44 | FRONT SEAL BAND |
| 7 | 5N6 | POLE ASSEMBLY |
| 8 | 5N10 | FRONT SUPPORT |
| 9 | 5N8 | APRON CHAIN TIGHTENER RH |
| 10 | 5N9 | APRON CHAIN TIGHTENER LH |
| 11 | 5N7 | FRONT SHAFT COVER |
| 12 | 5N4 | FLOOR BRACE |
| 13 | 5N15 | AXLE ASSEMBLY |
| 14 | 5N3 | REAR SUPPORT |
| 15 | 5N11 | RH REAR APRON BRACKET |
| 16 | 5N12 | LH REAR APRON BRACKET |
| 17 | 5N18 | BEATER |
| 18 | 5N49 | BEATER MOUNT SEAL |
| 19 | 5N16 | BEATER BRACKET |
| 20 | 5N40 | SPROCKET 41T |
| 21 | 5N71 | HUB DRUM |
| 22 | 5N72 | WHEEL HUB |
| 23 | BFR57 | SEAL |
| 24 | 17G145 | TAPERED ROLLER BEARING, 1.249 BORE |
| 25 | 17G146 | OUTER RACE, 2.33 OD, HUB 888 |
| 26 | BFR61 | OUTER RACE |
| 27 | BFR62 | OUTER BEARING |
| 28 | YWFL28010 | WASHER, FLAT, SAE 7/8 |
| 29 | YNSL24010 | HEX NUT, SLOTTED, 3/4"-16 |
| 30 | YPCT05010 | COTTER PIN, 5/32" X 1-1/2" |
| 31 | BFR66 | HUB CAP |
| 32 | 5N39 | ROTARY SHIELD |
| 33 | 5N33 | STATIONARY SHIELD |
| 34 | 5N32 | REAR SHIELD |
| 35 | 5N17 | LH APRON MECHANISM COVER |
| 36 | 5N20 | HOLDING DOG W/ STRAIGHT ZERK |
| 37 | 5N13 | RECIPROCATOR FACE |
| 38 | 5N21 | RATCHET GEAR |
| 39 | 5N14 | RECIPROCATING ARM |
| 40 | 5N28 | PIVOT ARM |
| 41 | 5N27 | IDLER SPRING BRACKET |
| 42 | 5N56 | IDLER SPROCKET |
| 43 | 5N31 | SLIDING IDLER SPACER |
| 44 | YWFL24005 | WASHER, FLAT, 3/4" USS |
| 45 | 5N57 | CHAIN |
| 46 | YNNJ24005 | HEX NUT, NYLON JAM LOCKNUT, 3/4"-10 |
| 47 | YBHH24055 | BOLT, 3/4" X 3-1/2" GR. 5 |
| 48 | S109 | SPRING |
| 49 | 5N34 | PIVOT ARM SPACER |
| 50 | 5N61 | SPINDLE |

FIGURE 1

MAIN FRAME AND COMPONENT PARTS

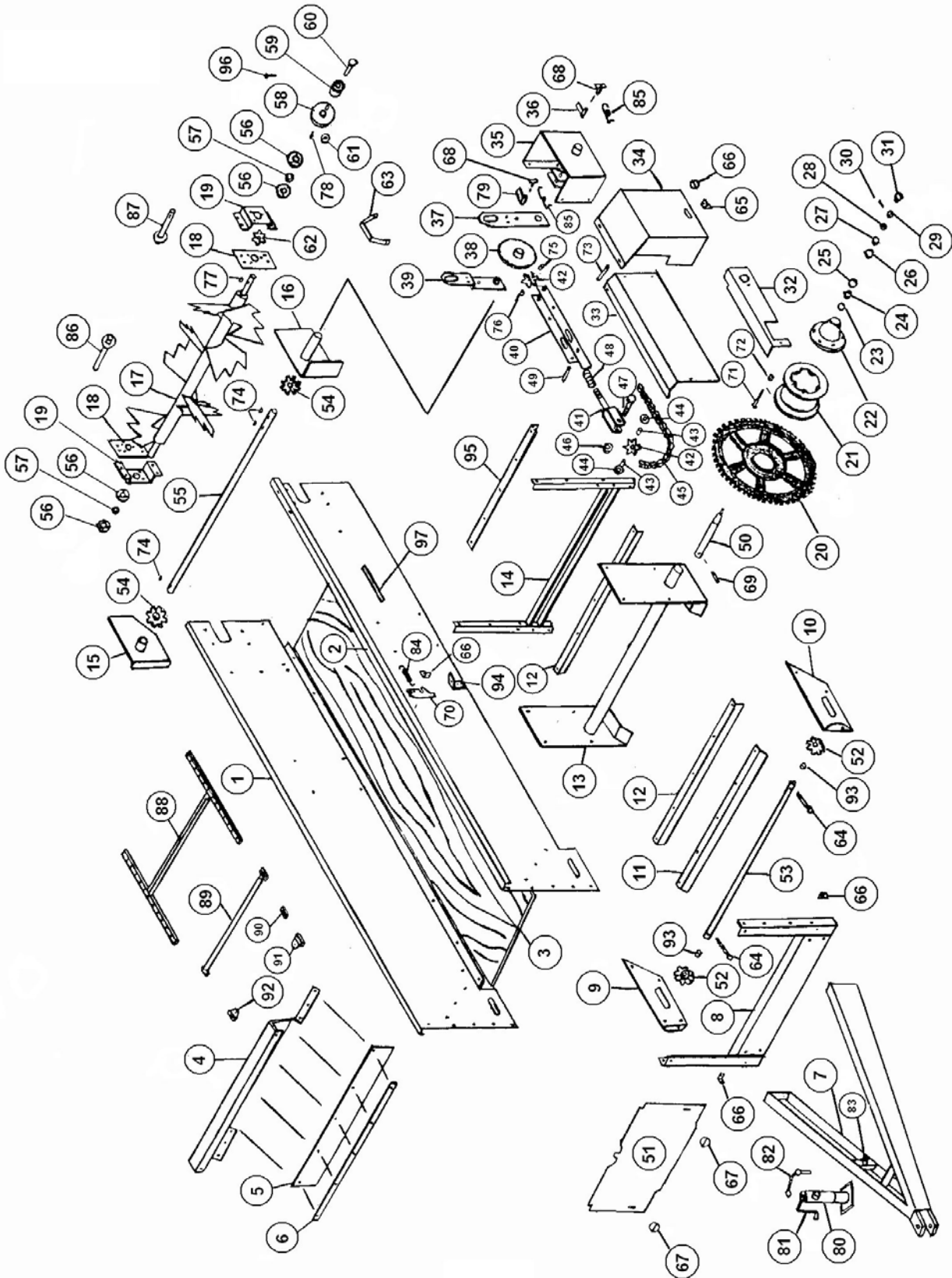


FIGURE 1

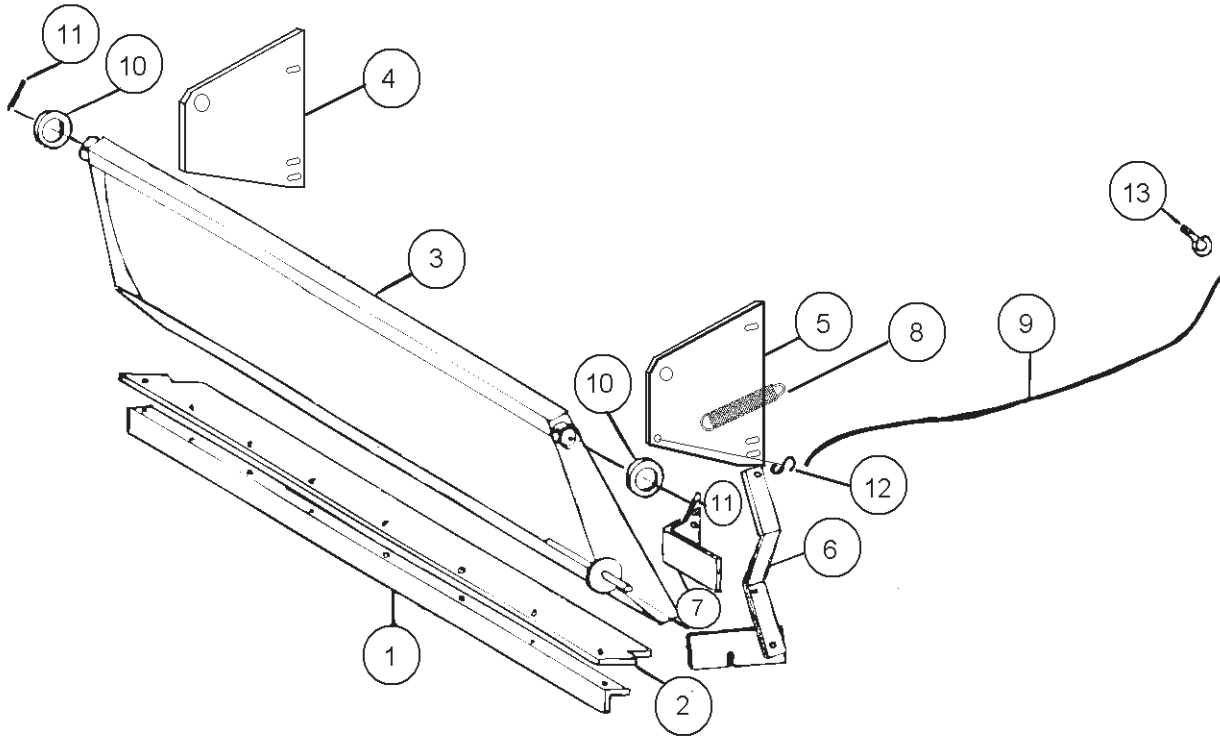
MAIN FRAME AND COMPONENT PARTS

| <u>ITEM</u> | <u>PART#</u> | <u>DESCRIPTION</u> |
|-------------|--------------|---|
| 51 | 5N54 | FRONT SHIELD |
| 52 | L10R20 | APRON CHAIN SPROCKET |
| 53 | 5N22 | APRON FRONT SHAFT |
| 54 | 5N42 | APRON DRIVE SPROCKET |
| 55 | 5N25 | APRON DRIVE SHAFT |
| 56 | 4C7 | FLANGE |
| 57 | 4C8 | BEARING WITH LOCK COLLAR |
| 58 | 5N23 | BEATER CAM HUB |
| 59 | T66 | CAM BEARING |
| 60 | YBHH20035 | BOLT, 5/8" X 2-1/2" GR. 5 |
| 61 | YNFG20005 | HEX NUT, FLANGED-LOCK, 5/8"-11 |
| 62 | 5N76 | BEATER SPROCKET |
| 63 | 5N50 | BEATER MOUNT RE-ENFORCEMENT |
| 64 | YBHH16190 | BOLT, 1/2 X 9-1/2, 6-3/4 THREAD LENGTH |
| 65 | 5N53 | BACK SHIELD ANGLE |
| 66 | R26 | FRONT SHIELD ANGLE |
| 67 | S122 | LANYARD, CLIP PIN CABLE |
| 68 | 5N26 | DOG PIN |
| 69 | YBHH12120 | BOLT, 3/8" X 3" GR. 5 |
| 70 | 5N35 | LATCH |
| 71 | YBSD16005 | STUD BOLT, 1/2"-20 UNF X 1-7/8" (3/8" SHOULDER) |
| 72 | YNWL16005 | WHEEL NUT, 1/2"-20 UNF |
| 73 | 5N36 | SHIELD SPACER |
| 74 | G12 | KEY 5/16" X 1" |
| 75 | 5N29 | OUTSIDE BUSHING |
| 76 | 5N30 | INSIDE BUSHING |
| 77 | 5B10 | KEY 1/4" X 1" |
| 78 | S135 | KEY |
| 79 | 5N51 | DRIVE DOG W/ 45 DEGREE ZERK |
| 80 | 5N77 | JACK |
| 81 | 5N78 | JACK HANDLE |
| 82 | 12N117 | JACK PIN & CHAIN |
| 83 | 12N120 | JACK MOUNT |
| 84 | 12R3 | SPRING |
| 85 | 23N186 | DOG SPRING |
| 86 | 5N58 | RH BEATER STUB SHAFT |
| 87 | 5N59 | LH BEATER STUB SHAFT |
| 88 | 5N47 | APRON CHAIN (50 BU. 62H/80 BU. 67H) |
| 89 | 5N48 | SLAT W/ ATTACHMENT LINK |
| 90 | L10R33 | CONNECTOR LINK 62H/67H |
| 91 | L10R37 | ATTACHMENT LINK LH 62H/67H |
| 92 | L10R38 | ATTACHMENT LINK RH 62H/67H |
| 93 | 5N24 | FRONT APRON SHAFT SPACER |
| 94 | ST33 | ANGLE |
| 95 | 5N69 | DRIVE SHAFT COVER |
| 96 | YBHH10080 | BOLT, 5/16" X 2-1/2" GR. 5 |
| 97 | 5N73 | EDGE GUARD 1/8" |
| * | 5N46 | TIRE-TRACTOR LUG |
| * | 5N63 | WHEEL 15 X 6 |
| * | S522 | MANUAL HOLDER |

NOTE: * MEANS NOT SHOWN

FIGURE 2

OPTIONAL REAR PAN



| ITEM | PART# | DESCRIPTION |
|-------------|--------------|---------------------------|
| 1 | 5N64 | PAN ANGLE |
| 2 | 5N65 | PAN RUBBER |
| 3 | 5N66 | PAN |
| 4 | 80N2 | LH PAN PLATE |
| 5 | 80N3 | RH PAN PLATE |
| 6 | 5N67 | PAN HANDLE |
| 7 | 80N82 | PAN HANDLE STOP |
| 8 | R27 | PAN HANDLE SPRING |
| 9 | 80N6 | TRIP ROPE |
| 10 | R3 | PAN SPACER |
| 11 | YPCT06020 | COTTER PIN, 3/16" X 2" |
| 12 | R31 | S HOOK |
| 13 | YBTE12005 | TURNT EYE BOLT, 3/8" X 1" |

H&S MFG. CO.

products approved

for the

FEMA

SEAL OF QUALITY

